



MINISTRY OF SCIENCE AND TECHNOLOGY

**INTELLECTUAL PROPERTY  
OFFICE OF VIETNAM**



# **DIGITIZATION STATUS & PUBLICATION, DATA SHARING OF SPECIFICATION DOCUMENTS**

# Digitization Status- Before 2004

- Business operations were basically performed manually.
- Personal computers (PCs) were still very strange and prioritized for storing information. Typing documents only depended on about a dozen mechanical typewriters and a few 9-needles printers.
- Protection titles were typed from the original document, sometimes having to make some corrections by hand (adding formulas, drawings, tables; label with glue...)
- From 1981-2000, IPVIETNAM received nearly 8,000 patent applications, over 10,000 industrial design applications and about 50,000 trademark applications

# Digitization Status- Before 2004

## PERIOD 1994-2000:

- Started using computers at work but didn't have a centralized management software yet.
- The registration division has built its own industrial property management program for internal use (mainly Foxpro and later Microsoft Access).
- However, the data is fragmented.
  - Examiners had to search 3-5 separate systems that were not connected to each other and took a lot of manual notes.
  - After the protection certificate were granted, the information was only kept at the registration division and other divisions didn't know to update the information for examination or application administration

# Digitization Status - 2004-2022

- MOIPA PROJECT supported by the Japanese Government and JICA
- In 2000, the **Modernization of IP Administration in Vietnam (MOIPA) Project** was implemented, supported by the Japanese Government and JICA, opening the process of modernizing industrial property management at the National Office of Intellectual Property.
- The project focuses on:
  - ❖ built an IPAS management **software** with a series of different functions, related to most departments in the IPVIETNAM;
  - ❖ built a centralized database;
  - ❖ standardize and numbering Administrative documents related to IP,...



# Digitization Status - 2023-NOW

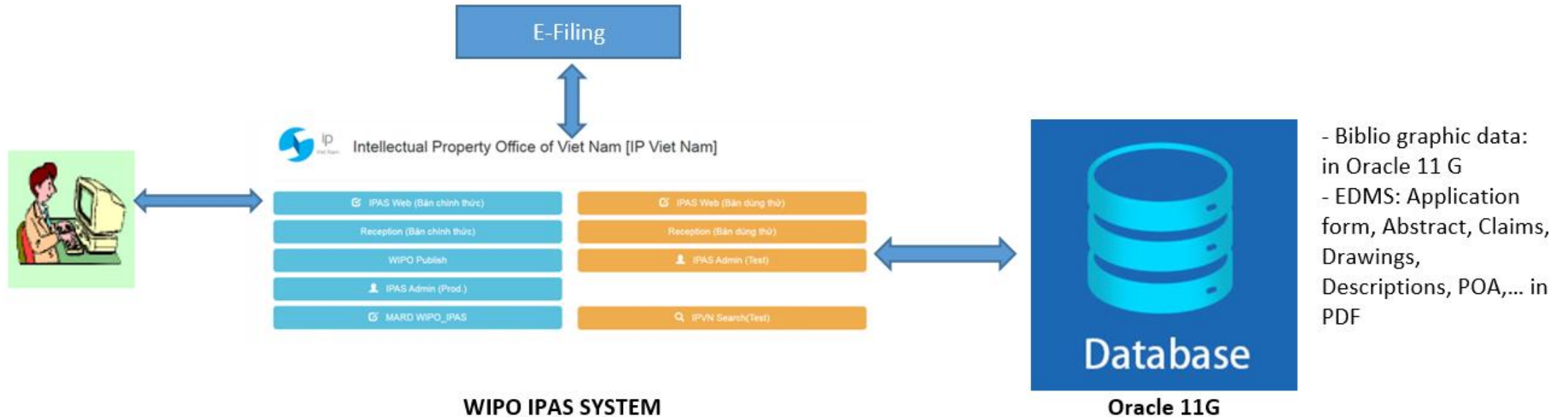
WIPO IPAS

**INDUSTRIAL DESIGN: From Jun 2019**

**INVENTION: From Feb 2020**

**TRADEMARK: From Nov 2022**

*(From Dec 2022, stop the NOIP IPAS system which is a product of the MOIPA Project – JICA – 1999-2022: used in >20 years)*



# Digitization Status - 2023-NOW

Document Types	Year Range	Digitized	Digitized Format	OCR PDF
<i>Application form</i>	2004-2024	YES	<i>PDF with bookmarks</i>	YES
<i>Abstract</i>	2004-2024	YES	<i>PDF with bookmarks</i>	YES
<i>Claims</i>	2004-2024	YES	<i>PDF with bookmarks</i>	Yes
<i>Descriptions</i>	2004-2024	YES	<i>PDF with bookmarks</i>	Yes
<i>Drawings</i>	2004-2024	YES	<i>PDF with bookmarks</i>	.jpg/.bmp
<i>Examination Report</i>	ID: FEB 2019-2024 PAT: JUN 2020-2024 TM: Nov 2022-2024	YES	<i>Separate PDF for each document</i>	

# Current difficulties and challenges

- Paper-based system: IPVN relies heavily on paper-based processes, hindering efficiency and creating inconsistencies in data entry and record-keeping
  - Large number of records, requiring a lot of human resources and machinery equipment to serve the digitization process;
  - Many patent applications - thick descriptions, digitization takes a lot of time and requires continuity in the digitization process;
- E-Filing system is not yet complete
- Inadequate IT infrastructure and equipment are barriers;
- **Office Documents have been electronically stored on IPAS, but there are no digital signature is not used yet;**
- Lack of financial resources;
- Lack of human resources



# Future plans

- ❖ Complete the E-Filing system
- ❖ Digital signature for office documents will be approved
- ❖ Paper less and Integrate digital signatures into the system



# PUBLICATION, DATA SHARING OF SPECIFICATION DOCUMENTS

WIPO PUBLISH – DIGITAL INTELLECTUAL PROPERTY LIBRARY FOR PUBLIC USE

<http://wipopublish.ipvietnam.gov.vn/>

The screenshot shows the website's header and main content area. The header is blue with the IP Vietnam logo and text: "BỘ KHOA HỌC VÀ CÔNG NGHỆ CỤC SỞ HỮU TRÍ TUỆ INTELLECTUAL PROPERTY OFFICE OF VIETNAM". Navigation links include "About", "English", and a user icon "(0)". The main content area features a large image of a building and a data table. The table lists statistics for Vietnam: Patents (115139), Designs (55311), and Trademarks (813942). The footer contains a search bar and an export button.

Flag	Country	Patents	Designs	Trademarks
	Vietnam	115139	55311	813942

SEARCH | EXPORT

Basic or advanced search to | Export your search in PDF

# PUBLICATION, DATA SHARING OF SPECIFICATION DOCUMENTS

- Scope of Data to be shared: Published data (bibliographic data, specification documents(), status, Drawings, Claims...)
- Frequency of Exchange: Monthly publish, daily update

## Bibliographic

Application Type	Sáng chế	Application SubType	PCT national phase SC
(10) Registration Number and Date	1-0039999-000 06.05.2024	Status	SC Đã Công bố B và cập nhật Bản mô tả lúc cấp VBBH
(180) Expiration Date	29.06.2038	(40) Publication Number and Date	VN 78871 B 25.06.2021
(20) Filing Number and Date	VN 1-2021-00385 29.06.2018	(87) PCT Publication Number and Date	<a href="#">IB WO/2020/000338</a> 02.01.2020
(86) PCT Filing Number and Date	<a href="#">PCT/CN2018/093538</a> 29.06.2018		
(85) National Entry Date			
(30) Priority Details			
(51) IPC Classes	<a href="#">C08J 9/16 (2006.01)</a> <a href="#">C08L 23/04 (2006.01)</a>		
(71/73) Applicant	<a href="#">(VI) DOW GLOBAL TECHNOLOGIES LLC</a> : 2040 Dow Center, Midland, Michigan 48674, United States of America		
(72) Inventor	<a href="#">(VI) Haiyang YU</a> : 936 Zhangheng Road, Zhangjiang Hi-Tech Park, Shanghai, 201203, China <a href="#">(VI) Jozef J I Van DUN</a> : Bachtobelstrasse 3, Horgen, 8810, Switzerland <a href="#">(VI) Yunfeng YANG</a> : 936, Zhangheng Road, Zhangjiang Hi-Tech Park, Shanghai, 201203, China		
(74) Representative Name	<a href="#">(VI) Công ty Luật TNHH Phạm và Liên danh</a> : 8 Trần Hưng Đạo, quận Hoàn Kiếm, thành phố Hà Nội		
(54) Title	<a href="#">(VI) Hạt xốp và cấu trúc xốp nung kết</a>		
(57) Abstract	<a href="#">(VI) Sáng chế đề cập đến hạt xốp được tạo ra từ hợp phần chứa (A) chất đồng trùng hợp nhiều khối etylen/α-olefin chứa nhóm chức silan. Sáng chế cũng đề cập đến cấu trúc xốp nung kết. Cấu trúc xốp nung kết này được tạo ra từ hạt xốp được tạo ra từ hợp phần chứa (A) chất đồng trùng hợp nhiều khối etylen/α-olefin chứa nhóm chức silan.</a>		
(58) Citations			

## Document

## Event

## Description

## Claims



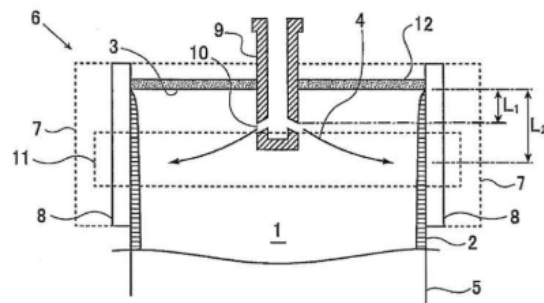
Document

Event

Description

Claims

Drawings



# PUBLICATION OF PATENT SPECIFICATIONS

Data	Publication B of granted patents	Publication A of patent applications
Bibliographic data (WIPO Publish, IP Gazette)	✓	✓
Full-text of patent specifications	✓	Not yet
Text of descriptions	✓	Not yet
Text of claims	✓	Not yet

# Challenges

- The data is not yet clean.
- Outdated infrastructure

Thank you for your attention!